

# 620CH

**SINOMACH**

**SINOMACH**

**SINOMACH-HI INTERNATIONAL EQUIPMENT CO.,LTD.**

## Optional Attachment



Wheel Loader



Motor Grader



Excavator



Backhoe Loader



Vibratory Roller



Truck Crane



Bulldozer



Paver



Skid Steer

额定功率(Rated Power):82kW@2200rpm 操作重量(Operating Weight):8000Kg



- Advanced design of oscillation axle makes bigger steering & oscillation angle.
- Drive axle with differential lock functions better traction force.
- Rear axle with free-maintenance wet-type brake ensures safety and reliable.
- Unique design for adjustable operation and reasonable layout make operator easy and comfortable.
- Wide eyeshot full closed ROPS & FOPS cabin with front and rear water wipers, defroster and A/C.
- Special chassis adopted advanced structure workmanship making has better durability, high stability.



### SINOMACH-HI INTERNATIONAL EQUIPMENT COMPANY LIMITED

Add: No. 898, West Huanghe Road, Changzhou, Jiangsu,  
P.R. of China

P.C: 213136

Tel: 86-519-86781288 86752400

Fax: 86-519-86781387

Http://www.sinomach-hi.com

E-mail: sales@changlin.com.cn service@changlin.com.cn

DEALER:



**国机重工集团国际装备有限公司**  
**SINOMACH-HI INTERNATIONAL EQUIPMENT CO.,LTD.**

### 发动机(Engine)

型号 Model ..... 东风康明斯 Dongfeng 4BTA3.9-C110  
 型式 ..... 直喷、涡轮增压、水冷  
 Type ..... Direct injection, turbocharged, water cooling  
 额定功率 Rated Power ..... 82kW  
 额定转速 Rated Speed ..... 2200rpm

### 变速系统 (Transmission System)

进口双变、同步机械换挡  
 Imported T/C & T/M, synchromesh mechanical shift  
 行驶速度(km/h) Traveling speed (at rated engine rpm)

	I	II	III	IV
Forward(km/h)	6	9.6	20.5	38
Reverse(km/h)	6	9.6	20.5	38

### 制动 (Brakes)

独立的2个制动踏板，单个踏板制动作用后轮单侧油盘制动器，双制动踏板同时作用制动后轮。  
 Oil immersed disc brakes are actuated by individual braking on each side rear wheel with two separate pedals. Integral brake on rear wheel is actuated by operating the two pedals at the same time.  
 停车制动：软轴操纵机械作用半轴制动。  
 Parking brake: flexible shaft control mechanical applied axle shaft braking.

### 前后桥 (Front and Rear Axles)

采用进口著名品牌的桥，重载桥轮边采用行星减速，前桥摆动角为22°后桥差速器通过装载机手柄上的开关采用电控。  
 Adopted imported well-known brand axles, Heavy duty axles with planetary reduction gears in the wheel hubs. Front axle total oscillation angle is 22°. Differential lock in the rear axle controlled by electro-hydraulic system with a switch on loader lever  
 最小离地间隙 Min. ground clearance ..... 275mm(4WD)/355mm(2WD)  
 最大爬坡能力 Max. gradient capacity ..... 30%

### 转向 (Steering System)

前轮转向，负荷传感优先转向方式  
 The front steering wheels are controlled by load sensing priority valve steering system.  
 最小转弯半径 ..... 4380mm(4WD)/3795mm(2WD)  
 Min. turning radius at the center of front wheel  
 ..... 4380mm(4WD)/3795mm(2WD)

### 装载作用性能 (Loader Performance)

Rated bucket capacity ..... 1m³  
 Max. dumping clearance ..... 2714mm  
 Max. dumping reach ..... 845mm  
 Max. breakout force ..... >60kN

### 反铲作业性能 (Backhoe Performance)

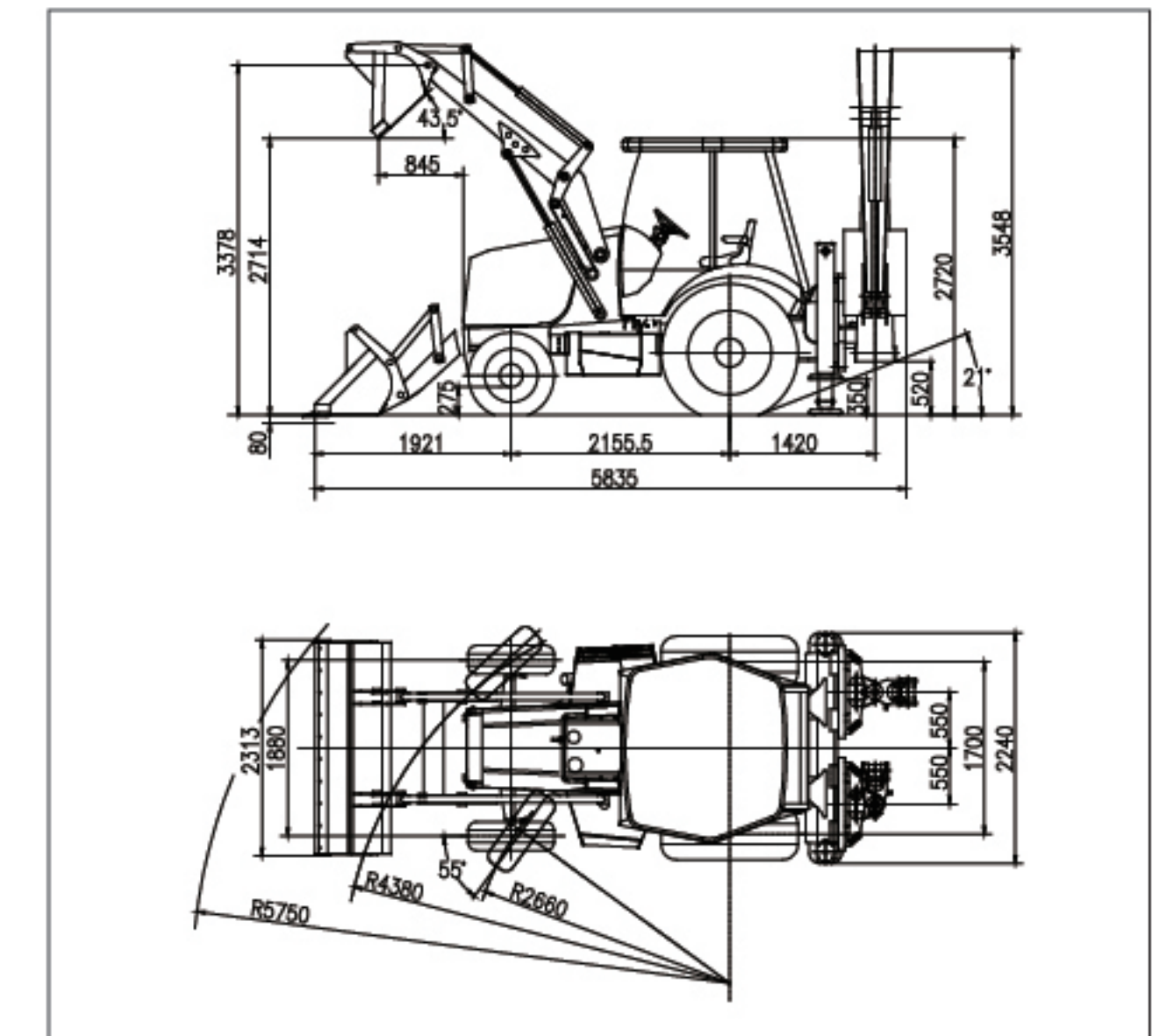
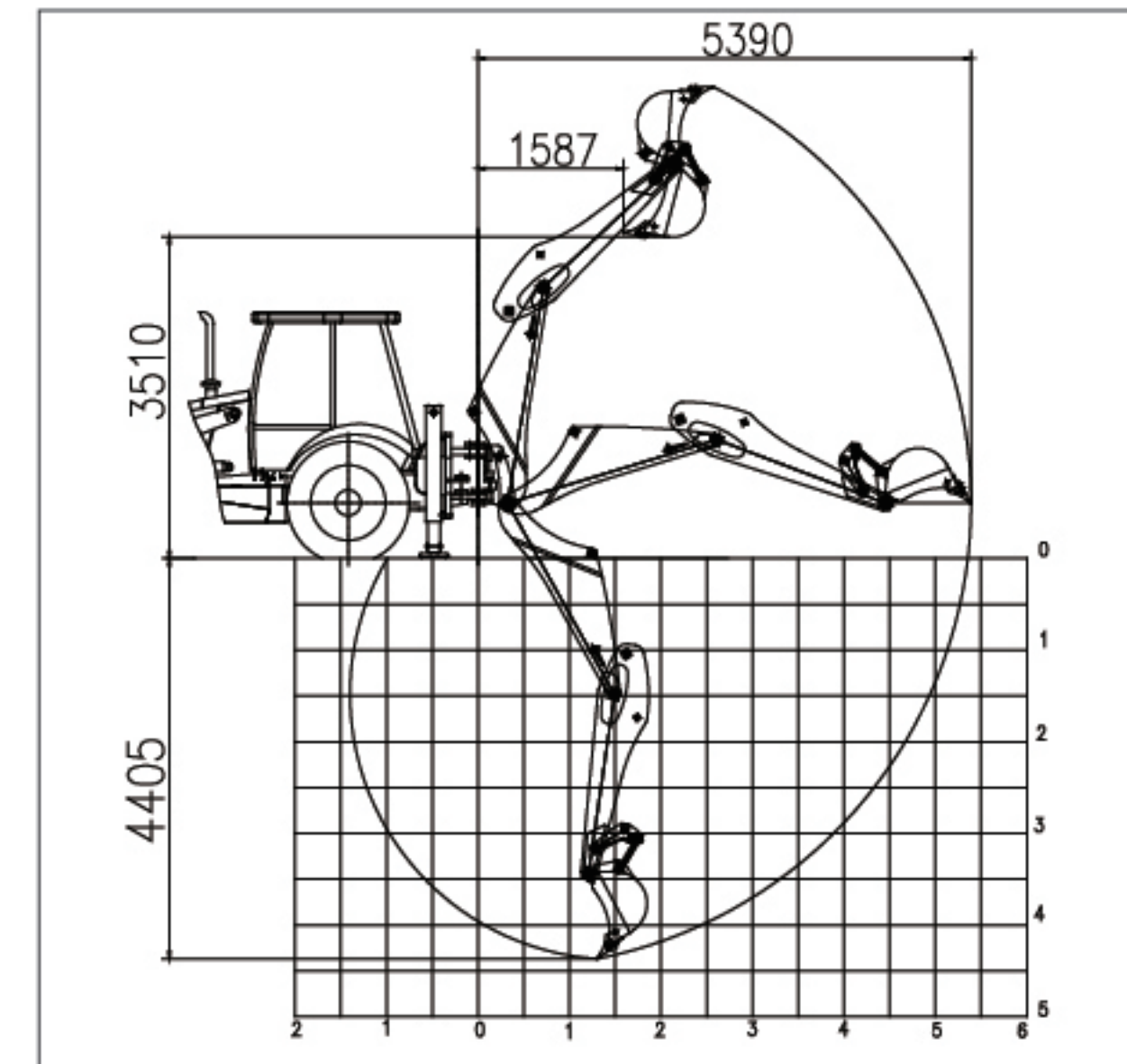
Rated hoe bucket capacity ..... 0.2m³  
 Max. digging depth ..... 4405mm  
 Max. digging force ..... 56.1±10%kN  
 Max. digging radius ..... 5390mm  
 Max. dumping height ..... 3510mm  
 Central offset ..... 550mm

### 轮胎 (Tyre)

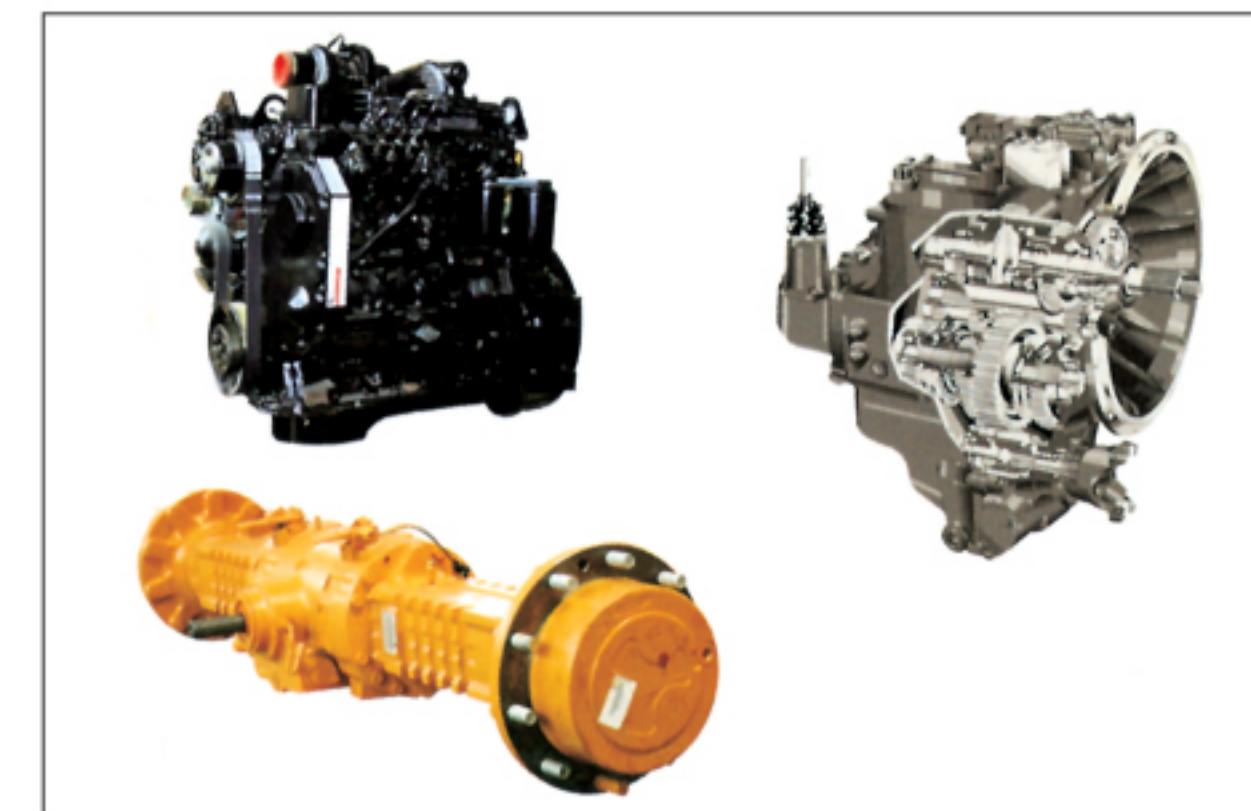
前轮 Fore tire size ..... 12-16.5NHS-12PR(4WD)/11L-16F3-12PR(2WD)  
 后轮 Rear tire size ..... Rear tire size 19.5L-24R4-12PR

### 油量 (Refill Capacity)

燃油箱 Fuel tank ..... 151L  
 曲轴箱 Crank case ..... 11L  
 变速箱 Transmission ..... 18.5L  
 后桥 Rear axle ..... 17L  
 前桥 Front axle ..... 7.6L  
 液压系统 Hydraulic system ..... 110L

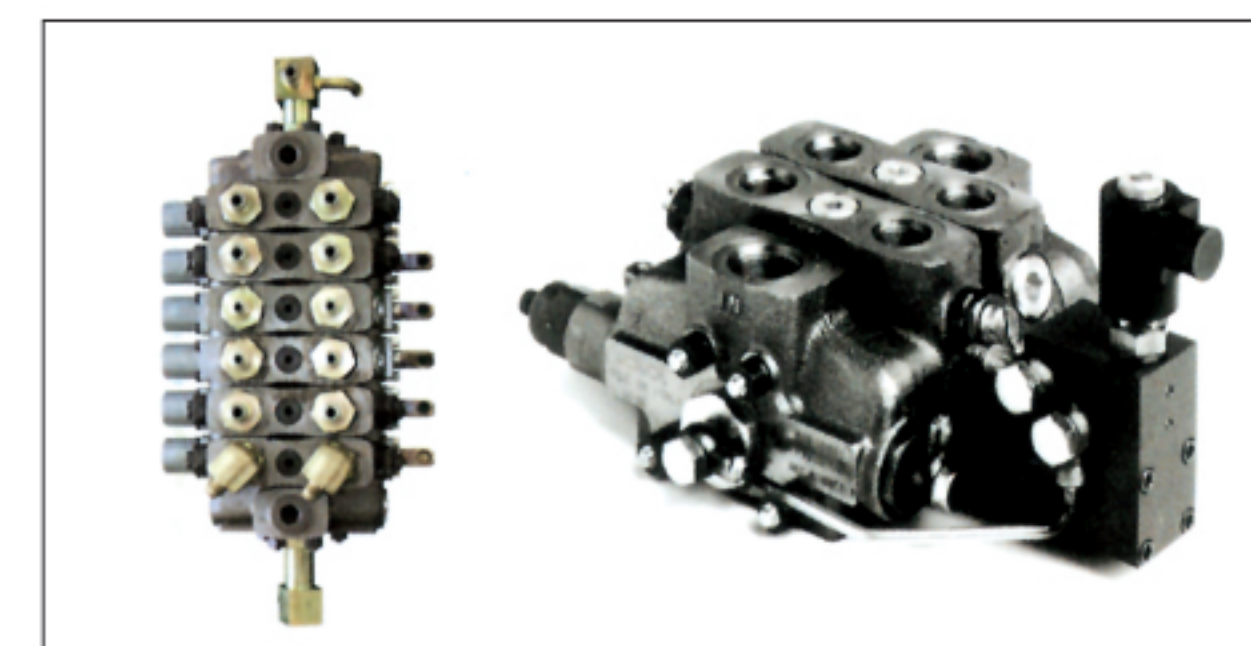


### Best Matched Power Train



- Adopted Cummins engine that features strong power, low oil consumption, big power reservation.
- Perfect configurations like F4/R4 Synchromesh mechanical shift transmission and free-maintenance axle ensures superior productivity and durability.

### High Efficiency Hydraulic System



- Adopted famous brand hydraulic components like multi-way valve make operation more stable and quick action and more precise.

### Comfortable Cabin



- Spacious and comfortable operator station allows 360° visibility. Adjustable seat, steering, and backhoe controls allow the machine to better fit any operator.