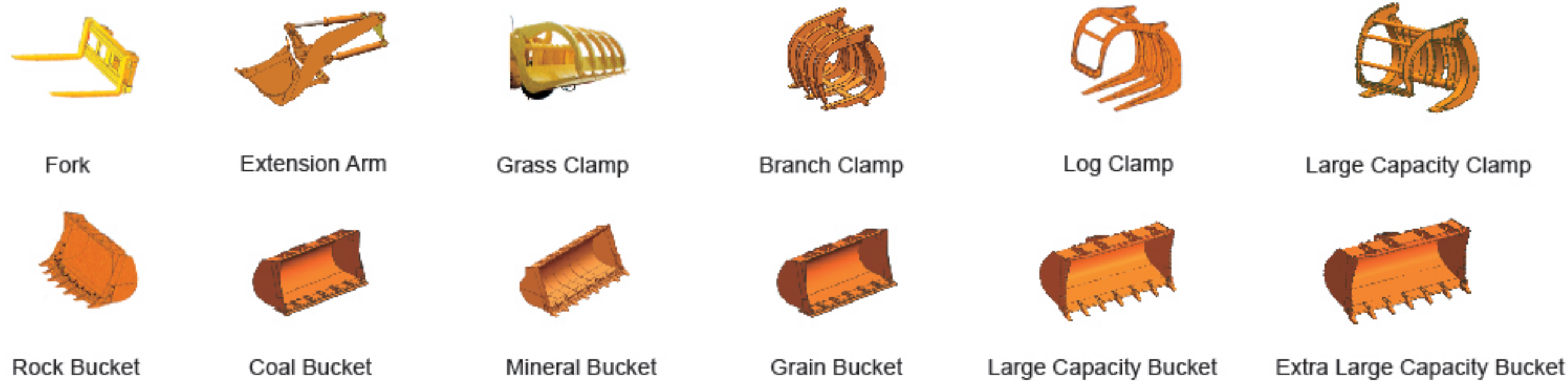


**SINOMACH**

**SINOMACH**

**SINOMACH-HI INTERNATIONAL EQUIPMENT COMPANY LIMITED**

**Optional Attachment**



额定功率(Rated Power):92kW@2200rpm  
 操作重量(Operating Weight):10200kg    额定斗容(Rated Bucket Capacity):1.7m<sup>3</sup>



- Equipped with WeiChai or YuChai Engine.
- 3 forward 3 reverse power shift transmission.
- Combined seal cylinder obtains high seal performance and more reliability.



Wheel Loader



Motor Grader



Excavator



Backhoe Loader



Vibratory Roller



Truck Crane



Bulldozer



Paver



Skid Steer



**SINOMACH-HI INTERNATIONAL EQUIPMENT COMPANY LIMITED**

Add:No.898,Huanghe Road(West),Changzhou City,  
 Jiangsu Province,China.

P.C:213136

Tel:86-519-86781288 86752400

Fax:86-519-86781387

Http://www.sinomach-hi.com

E-mail:sales@changlin.com.cn service@changlin.com.cn

DEALER:



**国机重工集团国际装备有限公司**  
**SINOMACH-HI INTERNATIONAL EQUIPMENT CO.,LTD.**



### 发动机 Engine

型号.....潍柴 WP6G125E22/玉柴 YC6B125-T20  
 Model.....WeiChai WP6G125E22/YUCHAI YC6B125-T20  
 型式 Type.....立式四冲程直喷式  
 额定功率 Rated Power.....92kW  
 额定转速 Rated Speed.....2200r/min  
 最低燃油消耗率 Min.fuel Consumption..... $\leq 225$ g/kW.h  
 最大扭矩 Max.Torque.....550/440N.m

### 变速箱 Transmission System

变矩器型式.....单级单三相三元件  
 Torque converter type.....Single stage, single phase, three elements  
 冷却方式.....油冷压力循环式  
 Cooling ways.....Oil cooling, pressure circling  
 变速箱型式.....圆柱直齿轮平行轴常啮合式  
 Transmission type.....Spur gear parallel shaft, constant-mesh  
 档位 (前进档/后退档).....前三后三  
 Shifts(forward/reverse).....F3/R3  
 前进行驶速度 km/h 6.8 14.1 32.9  
 Forward traveling speed  
 后退行驶速度 km/h 8.2 16.9 39  
 Reverse traveling speed

### 驱动桥和主传动 Axles and Main drive

驱动系统.....四轮驱动  
 Drive system.....four-wheel driving  
 前后桥主传动型式.....螺旋伞齿轮一级减速  
 Main drive type.....one spiral bevel gear, stillge, one-stage  
 减速比 Gear ratio.....3.889  
 轮边减速型式.....圆柱直齿轮行星传动  
 Hub reduction.....planetary gear tow-stage  
 减速比 Gear ratio.....4.941  
 最大爬坡能力 Max. grade ability.....30%

### 转向系统 Steering System

型式.....铰接式、全液压转向  
 Type.....Middle articulated frame.Co-axis flow amp. steering  
 转向角 Steering angle..... $\pm 38^\circ$   
 最小转弯半径 Min.steering radius.....5185mm  
 液压转向器排量 Displacement of redirecter.....400ml/r  
 液压泵 Mode of steering pump.....齿轮泵 gear pump  
 转向油缸数-缸径 $\times$ 行程.....2- $\varnothing 70 \times 357$ mm  
 Steering cylinders inner Bore  $\times$  Stroke.....2- $\varnothing 70 \times 357$ mm  
 工作压力 Operation pressure.....14MPa

### 制动系统 Brake System

脚踏制动型式: 单管路, 气顶油, 钳盘式四轮制动  
 Travel brake type dual-pipe: air over hydraulic caliper disc brake,  
 activate 4-wheel brake  
 手制动型式: 气动控制  
 Service brake type: air control, clamp brake

### 工作液压系统 Working Hydraulic System

型式 Type.....软管操纵 Shaft control  
 油缸数量-缸径 $\times$ 行程 No. of Cylinders-Bore  $\times$  Stroke  
 举升油缸 Lift cylinder.....2- $\varnothing 125 \times 697$ mm  
 翻斗油缸 Dump cylinder.....1- $\varnothing 150 \times 470$ mm  
 多路阀 Multi-way valve.....整体多路换向阀 Hydraulic multi-valve  
 系统工作压力 System operation pressure.....16MPa  
 提升时间 Lifting time.....5.1s  
 下降时间 Lowering time.....3.0s  
 卸载时间 Dumping time.....1.1s

### 轮胎 Tyre

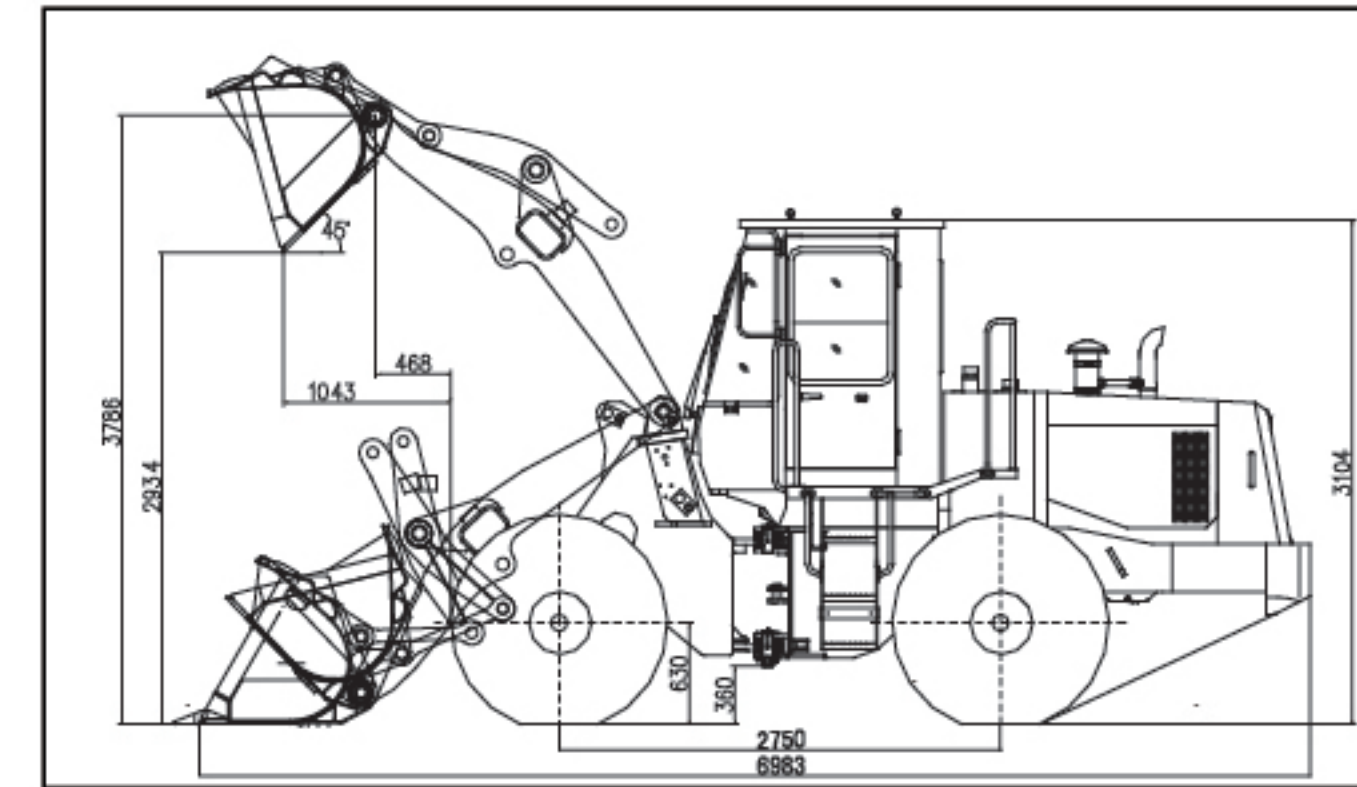
根据工作情况选择合适轮胎  
 Choose suitable tyre according to situations  
 标准车 Standard tyre.....17.5-25-12PR  
 轮胎气压 Tyre pressure.....0.275-0.294MPa

### 再注容量 Refill Capacity

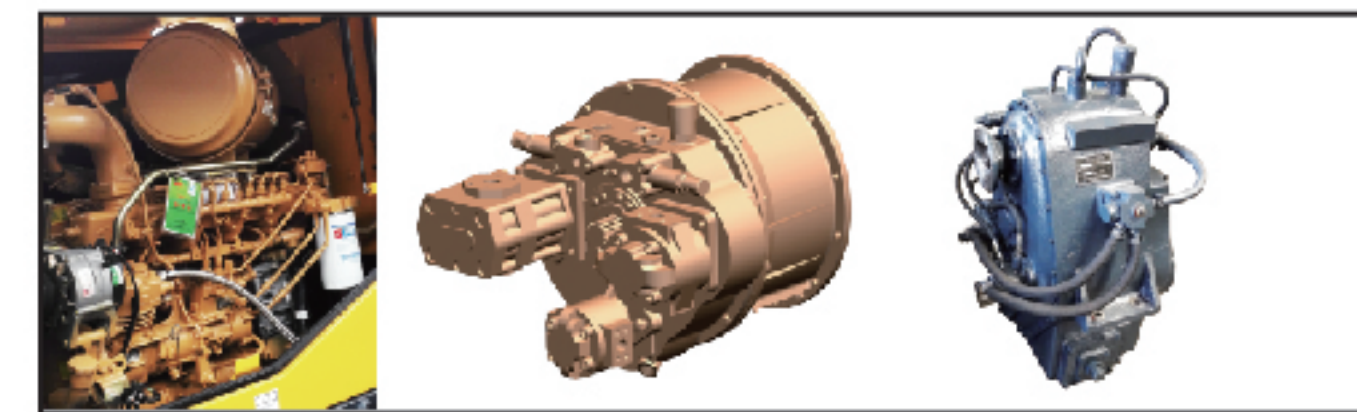
燃油箱 Fuel tank.....130L  
 发动机曲轴箱 Engine crank case.....17L  
 液力变矩器和变速箱 T/C and Transmission.....35L  
 液压油箱 Hydraulic oil tank.....120L  
 前后桥主传动 Axles main drive.....16F/15RL  
 轮边减速器 Hub reduction.....4 $\times$ 1.5L  
 制动系统 Brake system.....2 $\times$ 0.5L

### 工作装置 Work Equipment

高强度“Z”型连杆机构, 掘起力大。  
 Strong Z-bar structure provides strong breakout force.  
 卸高 (45° 卸载角度).....2934 $\pm$ 10mm  
 Dumping clearance (at dumping angle 45°).....2934 $\pm$ 10mm  
 卸距 (45° 卸载角度).....1034 $\pm$ 10mm  
 Dumping reach (at dumping angle 45°).....1034 $\pm$ 10mm  
 倾翻载荷 (全转向) Tipping load full turn.....6000kg

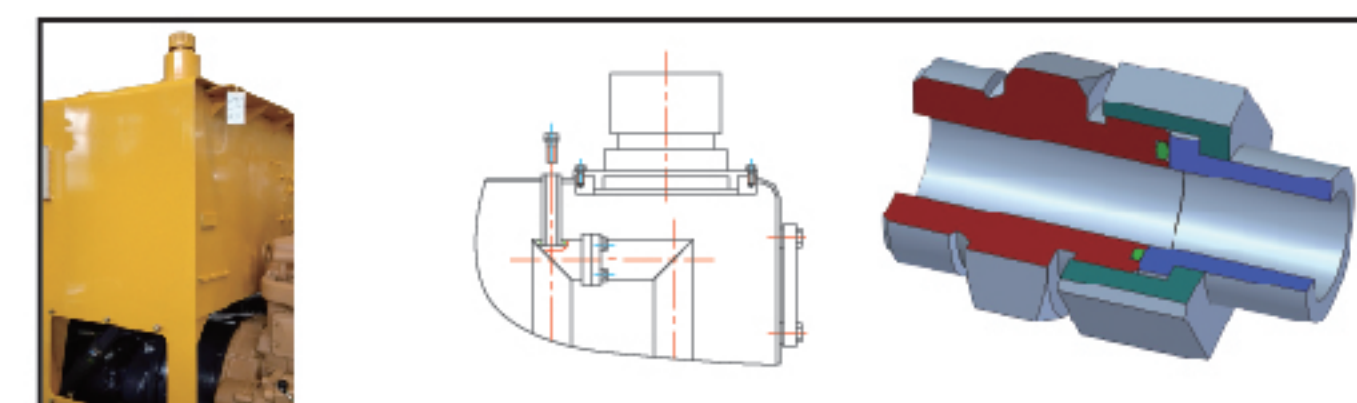


### Most matched drive system



- Adopted WeiChai/YuChai engine that features large power reservation, low oil consumption and good power performance.
- Internationally sourced bearing in crucial places of T/C & T/M and driving axle ensures high reliability.
- Long-time tested CHANGLIN brand driving axles more suitable for tough working sites.

### High efficiency hydraulic system

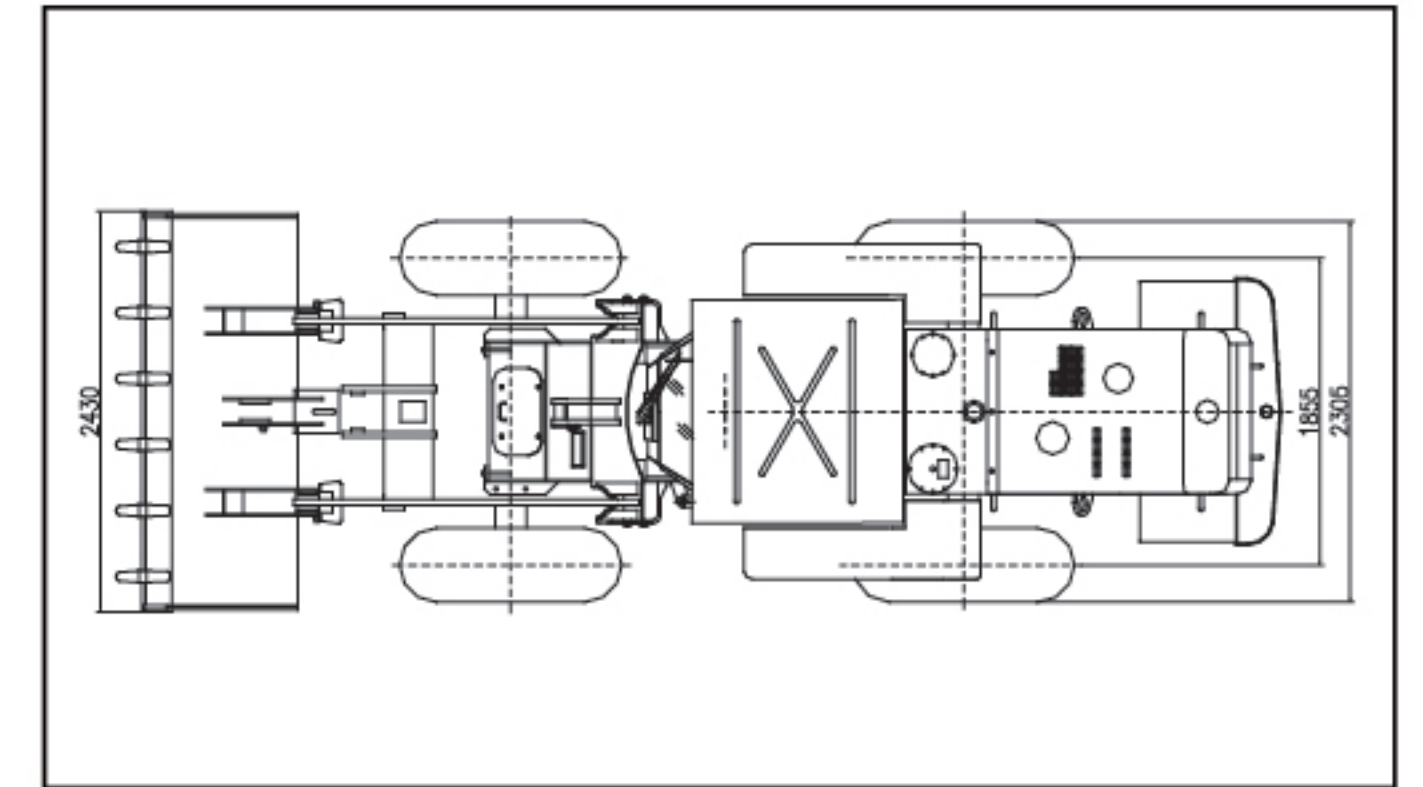


- Working system adopted independent hydraulic that features simple structure and high stability and low maintenance cost.
- Pipe joints adopted advanced sealing method ensure better sealing effect.
- Hydraulic tank with vacuum device ensures easy maintenance and fixing of hydraulic system.

### Advanced & Reliable Brake System



- Axle housing and hub reduction adopted separate structure that features low maintenance cost.
- Dual piping service brake with caliper disc brake ensures safety and reliable.



### Excellent Maintenance



- Engine compartment door is designed to facilitate the maintenance of the engine and related parts.
- The rear grating can open the structure and maintain the radiator more conveniently.
- The fuel tank increases the fuel level gauge and the oil peep outside, so as to observe the position of the oil level when filling.

### Confortable cabin



- Cabin featured luxury interior decoration and beautiful appearance and good eyeshot.

