

955T

SINOMACH

SINOMACH

SINOMACH-HI INTERNATIONAL EQUIPMENT CO.,LTD.

Optional Attachment



侧卸
Side-dump Bucket



加长臂
Extension Arm



石油管抓具
Petroleum-pipe Clamp



枝桠材抓具
Branch Clamp



木爪
Log Clamp



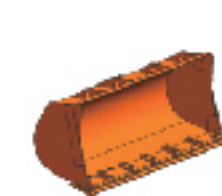
小容量抓具
Small capacity clamp



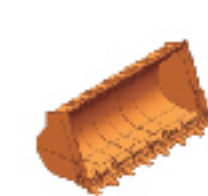
大容量抓具
Large capacity clamp



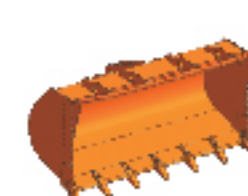
岩石斗 (2.2m³)
Rock Bucket



煤斗 (3.8m³)
Coal Bucket



矿砂斗 (2.2m³)
Ore Bucket



加大斗 (4.5m³)
Large Capacity Bucket



Wheel Loader



Motor Grader



Excavator



Backhoe Loader



Vibratory Roller



Pneumatic Roller



Bulldozer



Truck Mounted Crane



Skid Steer

额定功率(Rated Power):162kW@2000rpm

操作重量(Operating Weight):16500kg 额定斗容(Rated Bucket Capacity):3.0m³



- Equipped with reliable Weichai engine.
- 2 forward & 1 reverse power shift transmission.
- Combined seal cylinder obtains high seal performance and more reliability.



SINOMACH-HI INTERNATIONAL EQUIPMENT CO.,LTD.

Add:No.898,Huanghe Road(West),Changzhou City,
Jiangsu Province,China.

P.C:213136

Tel:86-519-86781288 86752400

Fax:86-519-86781387

Http://www.sinomach-hi.com

E-mail:sales@changlin.com.cn service@changlin.com.cn

DEALER:



国机重工集团国际装备有限公司
SINOMACH-HI INTERNATIONAL EQUIPMENT CO.,LTD.



发动机 Engine

型号.....潍柴WD10G220E23
 Model.....WeiChai WD10G220E23
 型式 Type.....立式四冲程直喷式
 额定功率 Rated Power.....162kW
 额定转速 Rated Speed.....2000rpm/min
 最低燃油消耗率 Min.fuel Consumption..... ≤ 210 g/kW.h
 最大扭矩 Max.Torque.....980N.m

变速系统 Transmission System

变矩器型式.....双涡轮四元件
 Torque converter type.....Twin-turbine four.elements
 冷却方式.....油冷压力循环式
 Cooling ways.....Oil cooling. pressure circulating
 变速箱型式.....行星式液压换挡
 Transmission type.....Planetary shift hydraulic
 档位 (前进档/后退档).....前二后一
 Shifts(Forward/reverse).....F2/R1
 前进行驶速度 km/h 12.1 37.4
 Forward traveling speed
 后退行驶速度 km/h 16.5
 Reverse traveling speed

驱动桥和主传动 Axles and Main Drive

驱动系统.....四轮驱动
 Drive system.....four-wheel diving
 前后桥主传动型式.....螺旋伞齿轮一级减速
 Main drive type.....one spiral bevel gear. stllge, one-stage
 减速比 Gear ratio.....4.625
 轮边减速型式.....圆柱直齿行星传动
 Hub reduction.....planetary gear tow-stage
 减速比 Gear ratio.....4.928
 最大爬坡能力 Max. grade ability.....30°

转向系统 Steering System

型式.....铰接式、负荷传感全液压转向
 Type.....Middle articulated frame.Co-axis flow amp.steering
 转向角 Steering angle..... $\pm 38^\circ$
 最小转弯半径 Min.steering radius.....5970mm
 液压转向器排量 Displacement of redirecter.....1000ml/r
 液压泵 Mode of steering pump.....齿轮泵 gear pump
 转向油缸数-缸径 \times 行程.....2- $\varnothing 90 \times 400$ mm.
 Steering cylinders inner Bore \times Stroke.....2- $\varnothing 90 \times 400$ mm.
 工作压力 Operation pressure.....16MPa

制动系统 Brake System

脚制动型式: 单管路, 气顶油, 钳盘式四轮制动
 Travel brake type Single-pipeair over hydraulic caliper disc brake,
 activate 4-wheel brake
 手制动型式: 软轴
 Service brake type:Flexible Shaft

工作液压系统 Working Hydraulic System

型式 Type.....软轴操纵 (可选装单手柄先导操纵)
 油缸数量-缸径 \times 行程 No. of Cylinders-Bore \times Stroke
 举升油缸 Lift cylinder.....2- $\varnothing 160 \times 705$ mm
 翻斗油缸 Dump cylinder.....1- $\varnothing 180 \times 530$ mm
 系统工作压力 System operation pressure.....19MPa
 提升时间 Lifting time.....6.2s
 下降时间 Lowering time.....3.8s
 卸载时间 Dumping time.....1.8s

轮胎 Tyre

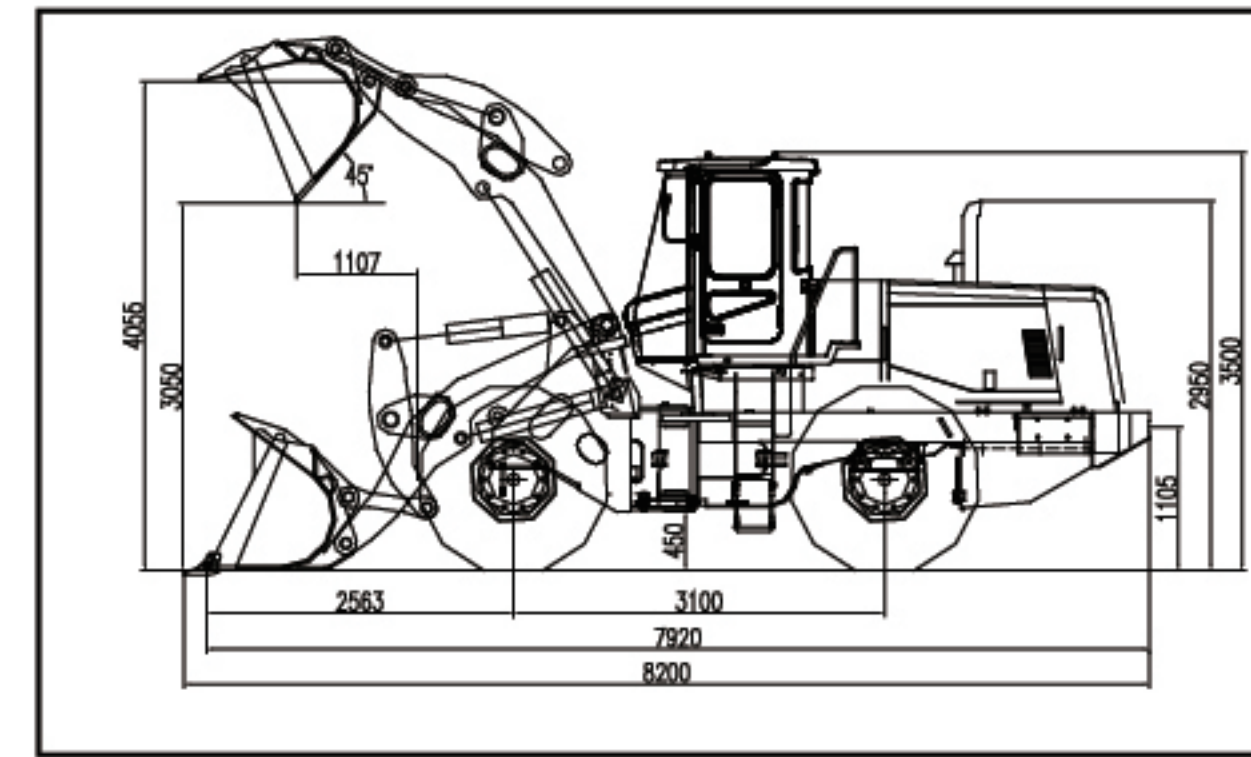
根据工作情况选择合适轮胎
 Choose suitable tyre according to situations
 标准车 Standard tyre.....23.5-25-16PR
 轮胎气压 Tyre pressure.....0.274-0.294MPa

再注容量 Refill Capacity

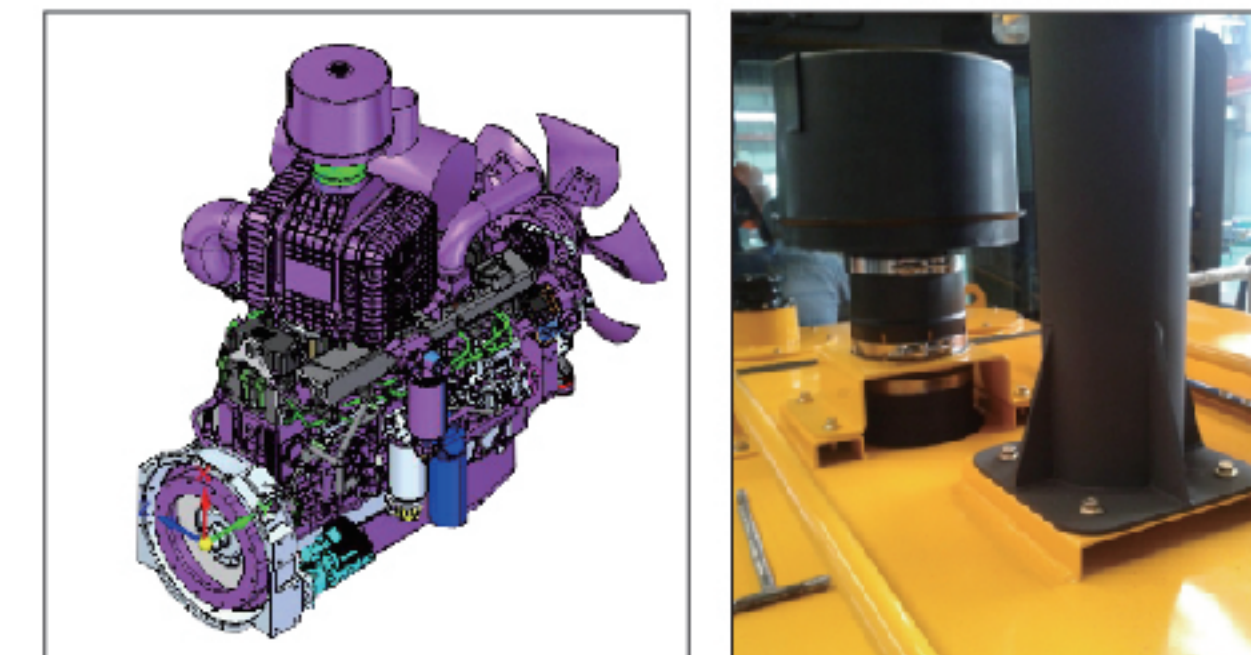
燃油箱 Fuel tank.....250L
 发动机曲轴箱 Engine crank case.....42L
 液力变矩器和变速箱 T/C and Transmission.....45L
 液压油箱 Hydraulic tank.....180L
 前后桥主传动 Axles main drive.....2 \times 13L
 轮边减速器 Hub reduction.....4 \times 3.5L
 制动系统 Brake system.....2 \times 1.5L

工作装置 Work Equipment

高强度“Z”型连杆机构, 掘起力大, 可选购
 Strong Z-bar structure provides strong breakout force.
 卸高 (45° 卸载角度).....3050 \pm 10mm
 Dumping clearance (at dumping angle 45°).....3050 \pm 10mm
 卸距 (45° 卸载角度).....1107 \pm 10mm
 Dumping reach (at dumping angle 45°).....1107 \pm 10mm
 倾翻载荷 (全转向) Tipping load full turn.....10000kg



Best Power Performance



- Equipped with WeiChai engine with strong power, low consumption and good performance.
- The swirl type prefilter provides good filtering effect and it is fixed hierarchically with high reliability.
- Equipped with planetary gearbox and twin turbo T/C, it has much popularity in market and convenience in spare parts.

Ultrastrong Heat dissipation system

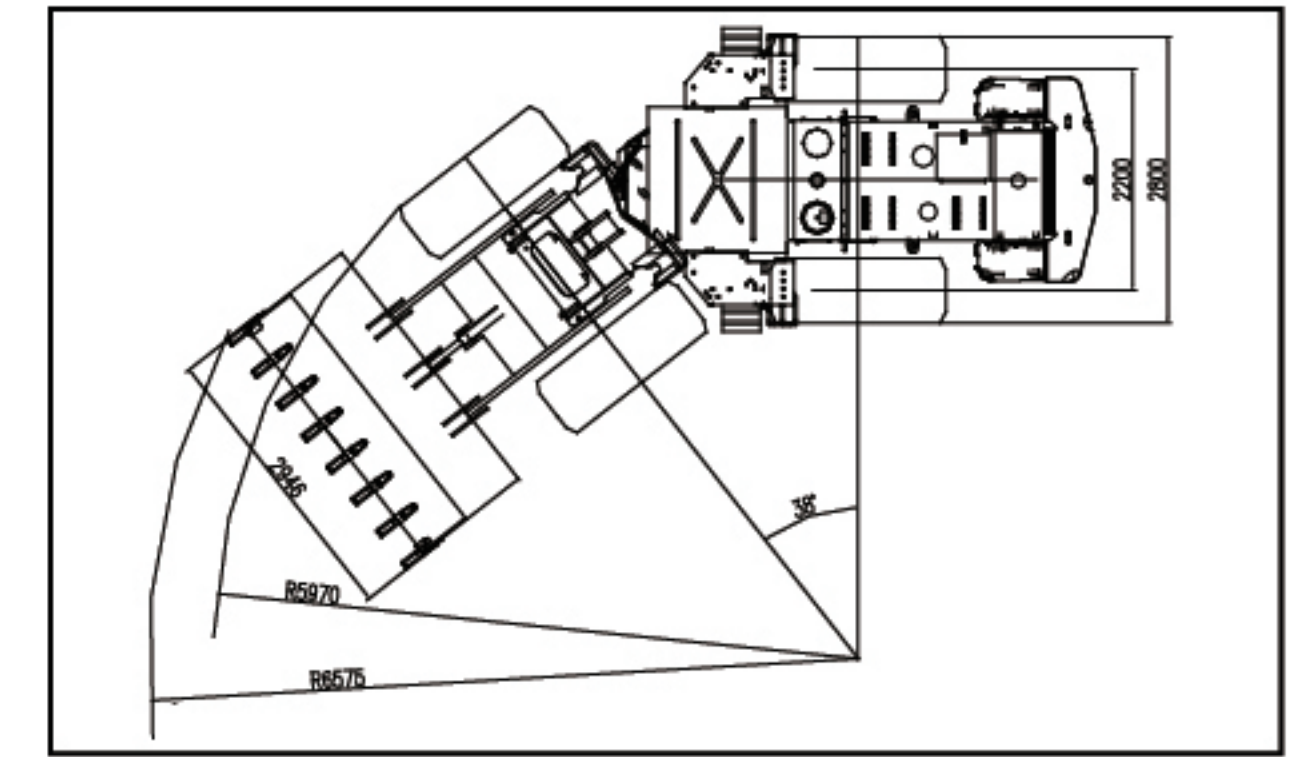


- The wind scooper is designed as oblique incision, which adds the wind girder and guarantees the stable wind capacity and pressure, helps the degree reach to 55° in extreme environment.
- Throttling design and working hydraulic radiating helps improve the efficiency of radiating. The temperature keeps down blow 85°, which improves the reliability of hydraulic system.

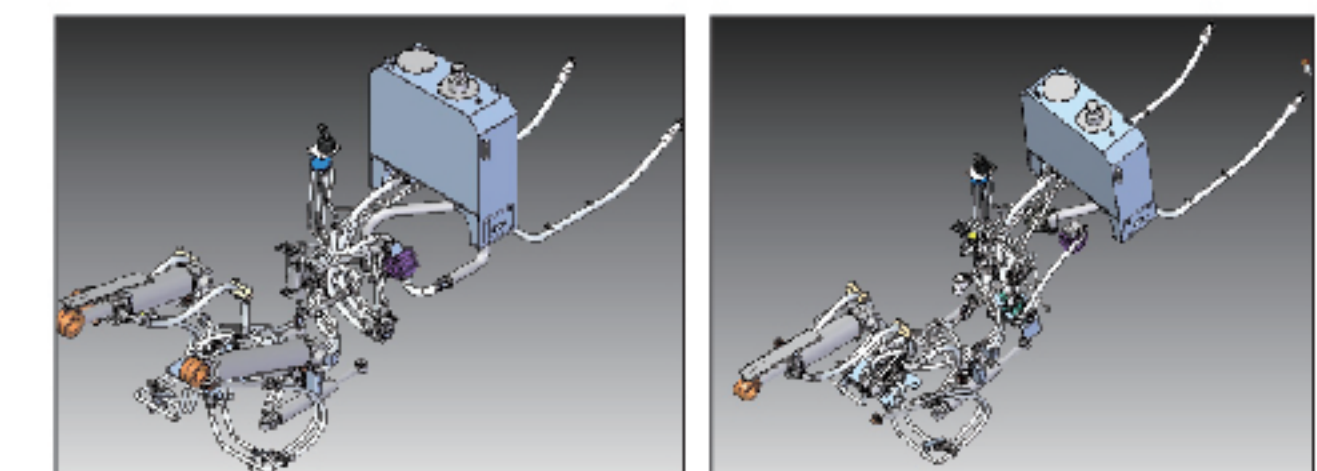
Comfortable Cabin



- Cabin featured luxury interior decoration and beautiful appearance and good eyeshot.

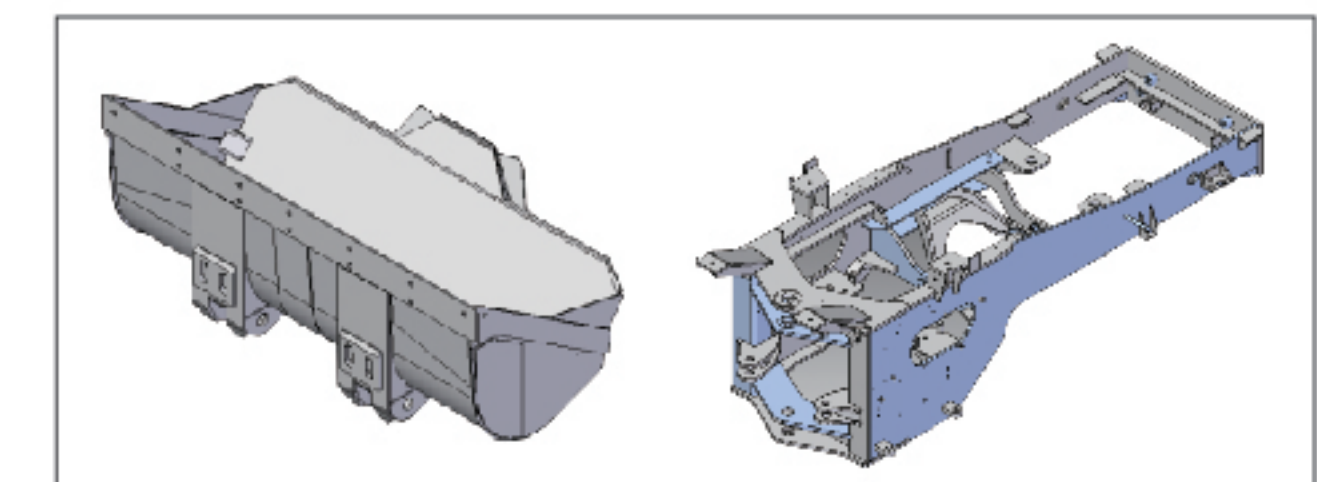


High Efficiency Hydraulic System



- The standard configuration is flexible shaft in enclosed construction design, which has a good effect of dust prevention.
- The pilot system adopts the accumulator scheme to reduce the power loss of the system.
- The pilot accumulator is installed in the right auxiliary box for maintenance.
- Selecting the distribution system, the configuration switch to the limiter, reducing the system shock.
- The flow amplification valve is positioned in the center of the frame to facilitate maintenance.

Optimized bucket and chassis



- The optimized bucket has improved the full bucket rate. And there is a backplane added to the bucket rear to prevent the material spilling.
- The design of chassis has been upgraded to make lighter weight but bigger load bearing.



Wheel Loader Motor Grader Excavator Backhoe Loader Vibratory Roller Bulldozer
Construction Machinery

The specifications and pictures are subject to change without any notice.