

SINOMACH 980H SINOMACH-HI International Equipment Co.,Ltd.

Optional Attachment

额定功率(Rated Power):216kW@2100rpm 操作重量(Operating Weight):23500Kg 额定斗容(Rated Bucket Capacity):4.2m³



- Equipped with Cummins engine(made in USA).
- German ZF fixed-shaft T/M and 3-elements T/C are mature and reliable.
- KD switch owns better efficiency and easy operation.
- Bucket automatic leveling device.
- German ZF axles with multi-disc wet-type brake and limited-slip differential more adapt to work in tough working site.
- Luxury cab decoration and A/C provide operator comfort.



防滚翻 ROPS Fram 叉 Fork 快换装置 Fast-coupling Device 木爪 Log Clamp 加大斗(4.56m³) Large Capacity Bucket



Wheel Loader Motor Grader Excavator



Backhoe Loader Vibratory Roller Truck Crane



Bulldozer Paver Skid Steer

SINOMACH-HI International Equipment Co.,Ltd.
 Add:No.898,Huanghe Road(West),Changzhou City,
 Jiangsu Province,China.
 P.C:213136
 Tel:86-519-86781288 86752400
 Fax:86-519-86781387
 Http://www.sinomach-hi.com
 E-mail:sales@changlin.com.cn service@changlin.com.cn

发动机(Engine)

型号.....康明斯 QSM11
 Model.....Cummins QSM11
 型式.....直喷、涡轮增压、水冷
 Type.....Direct injection、turbocharged、water cooling
 额定功率Rated Power.....216kW
 额定转速Rated Speed.....2100rpm

变速系统 (Transmission System)

变矩器型式.....单级单相三元件
 Torque converter type...Single stage、single phase and 3-elements
 冷却方式.....油冷压力循环式
 Cooling mode.....Oil cooling pressure circulating
 ZF 变速箱型式.....定轴式动力换挡
 ZF Transmission type.....fixed shaft power shift
 档位 (前进/后退).....前四后三
 Shifts(Forward/Backward).....F4/R3
 行驶速度(km/h) Traveling speed

	I	II	III	IV
前进 Forward	7.4	12.4	25.9	37
后退 Backward	7.4	12.4	25.9	

驱动桥 (Axles)

最大牵引力 Max. drawing force.....222kN
 主传动速比 Gear ratio of main drive.....4.777
 轮边减速比 Gear ratio of hub reduction.....5.167
 最大爬坡能力 Max. gradient capacity.....25°

转向系统 (Steering System)

型式.....中间铰接单板车架、流量放大全液压转向
 Type.....Middle articulated single-plate frame、flow amp. full hydraulic steering
 转向角 Steering angle.....±38°
 最小转弯半径Min.steering radius outside of rear wheel.....6487mm
 系统压力 System pressure.....17.5MPa.
 发动机额定转速时的流量.....217L/min
 Flow rate at engine rated speed.....217L/min
 转向油缸数-缸径×行程.....2-∅100×441mm.
 No.of cylinders-Bore×Stroke.....2-∅100×441mm.

轮胎 (Tyre)

轮胎规格 Tyre size.....26.5-25-20PR(L-3)

工作装置 (Working Equipment)

单摇臂高支点优化设计的工作装置，自动放平作为标配。
 Single swing arm high fulcrum working equipment, Automatic leveling device as standard configuration.
 最大掘起力 Max.breakout force.....220kN
 卸载高度 Dumping clearance.....3220mm
 卸载距离 Dumping reach.....1275mm
 倾翻载荷 (全转向) Tipping load full turn.....15000kg

工作液压系统 (Working Hydraulic System)

型式 Type.....单手柄比例先导操纵 Single handle P.P.C
 系统压力 System pressure.....21MPa
 发动机额定转速时的流量.....403L/min
 Flow rate at engine rated speed.....403L/min
 油缸数量-缸径×行程 No.of cylinders-Bore×Stroke
 举升油缸 Lifting cylinder.....2-∅180×767mm.
 翻斗油缸 Tilting cylinder.....1-∅210×550mm.
 提升时间 Lifting time.....6.1s
 下降时间 Lowering time.....3.8s
 卸载时间 Dumping time.....1.9s

制动系统 (Brake System)

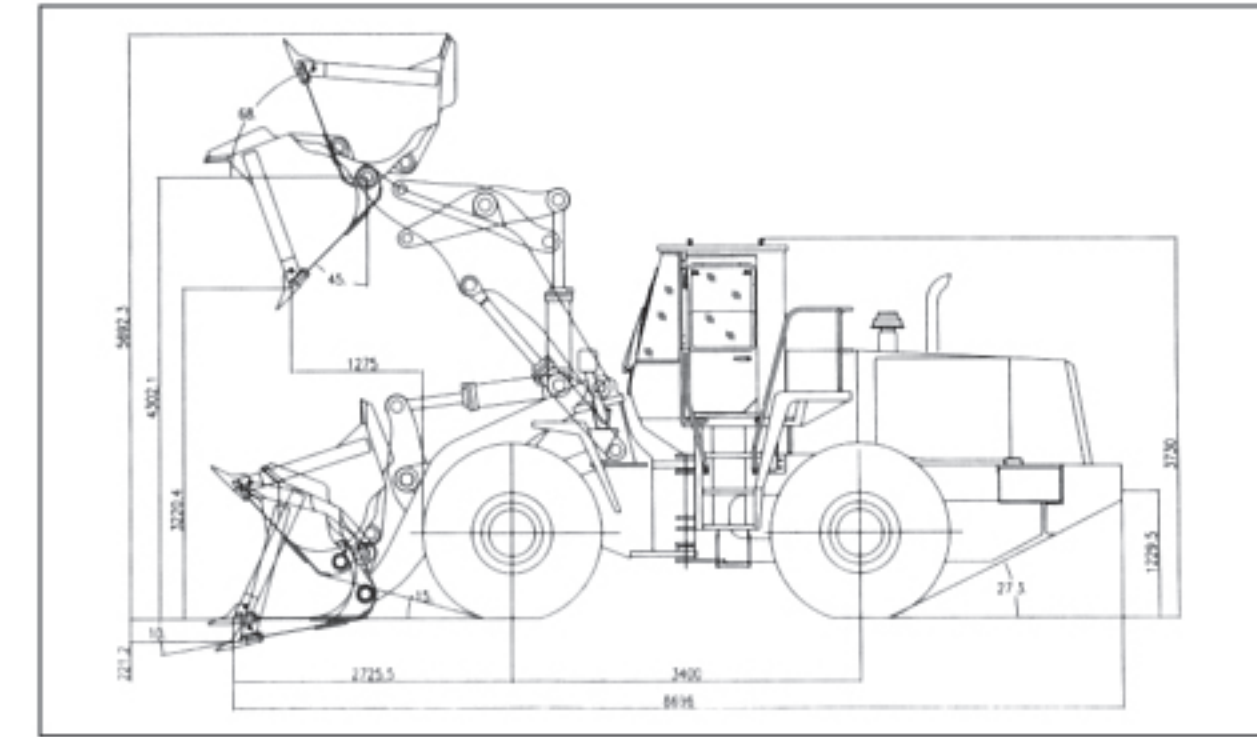
行车制动.....双踏板双回路全液压制动
 Service Brake...double brake pedal dual circuit full hydraulic brake
 停车制动.....手动电控液压作用鼓式制动器，可作为紧急制动。
 Parking brake.....Manual electro-controlled actuate drum brake act as emergency brake.

油量 (Refill Capacity)

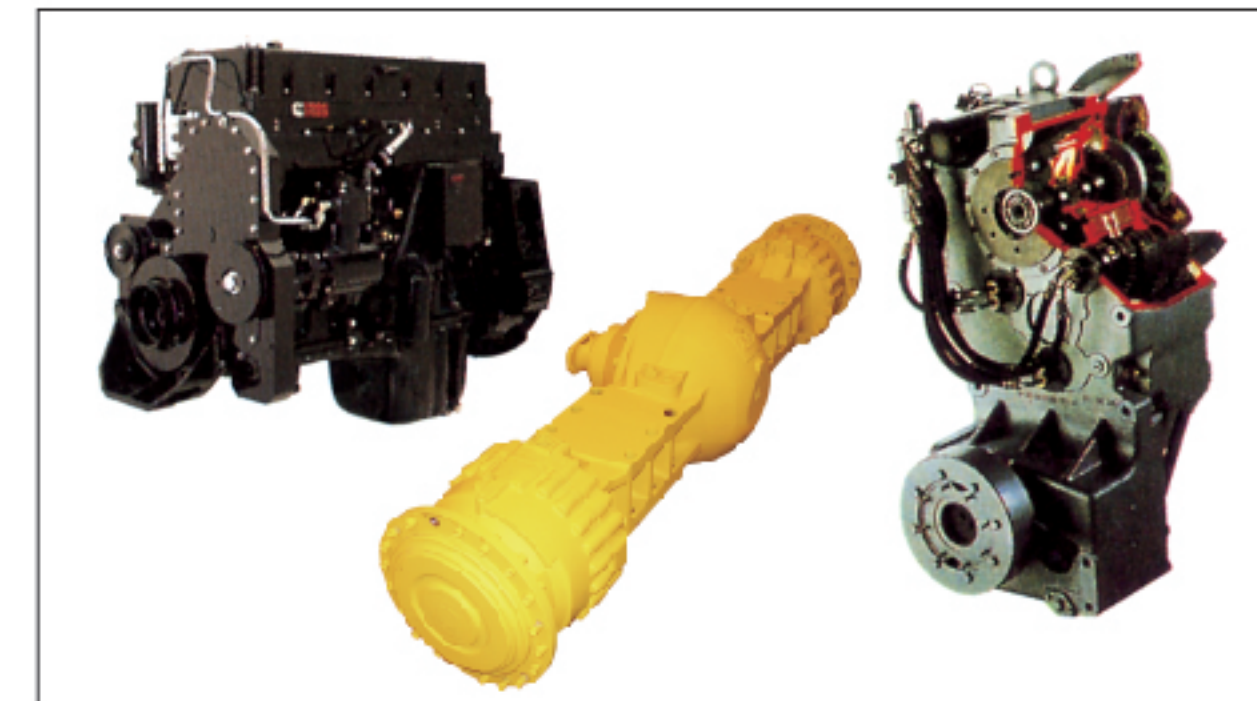
燃油箱 Fuel tank.....423L
 发动机曲轴箱 Engine crank case.....32L
 双变系统 T/C and T/M.....38L
 液压油箱 Hydraulic tank.....300L
 前后桥 F/R axles.....51L(for each)

驾驶室 (Cabin)

Vibration-absorbed humanistic cabin with adjustable steering wheel and chair,and streamline dashboard provide low noise,comfortable operation and wide eyeshot.



Best Matched Power Train

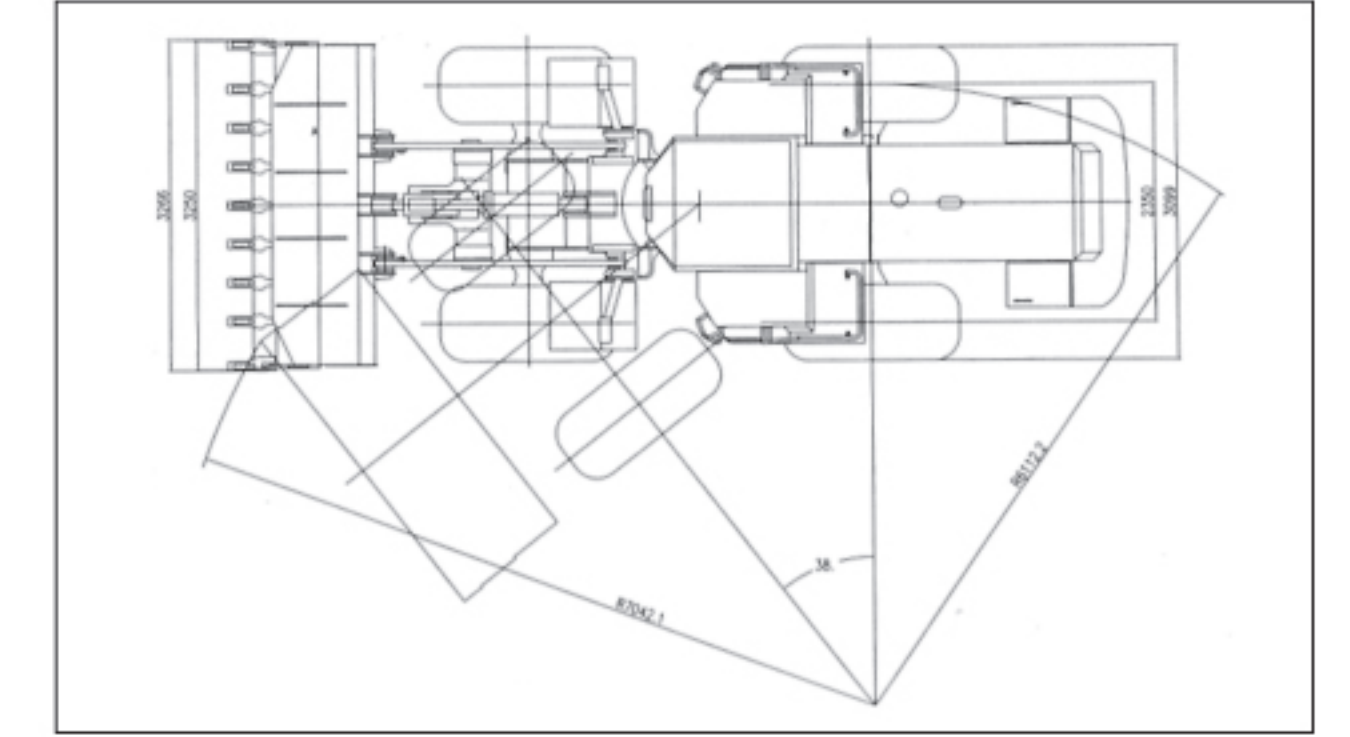


- Adopted Cummins engine that features large power reservation, low oil consumption and good power performance.
- Shifting control handle adopts electronic induction control prolong service lifetime.
- Key components adopt international famousbrand greatly enhance reliability.
- Wet-type axles with limited-slip differentials deliver maximum traction in changing traction conditions.

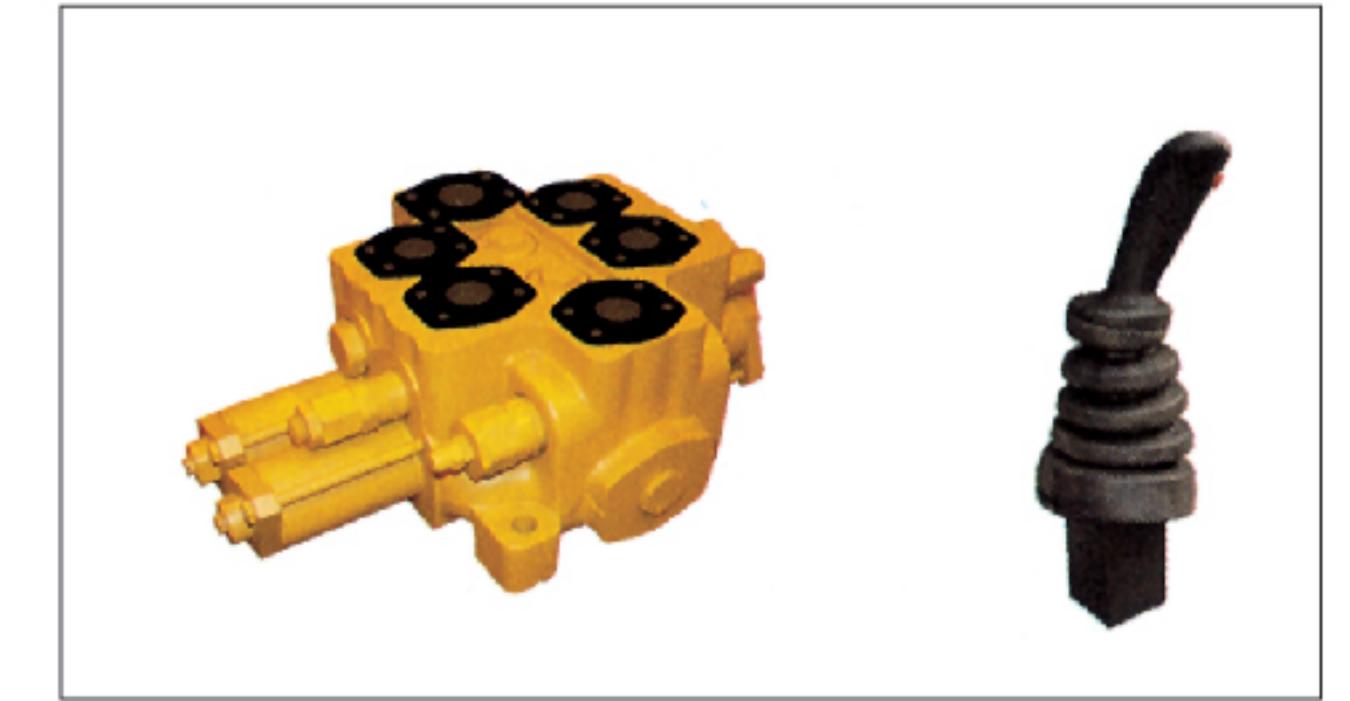
Luxury cabin



- Electronic monitor panel with digital show and adjustable steering wheel make operator easy and comfortable.
- Adopted electronic monitor system to fulfill three-stage alarm, it has the function of automatic diagnosis troubleshooting, greatly improve service ability.
- Half-automatic control of KD switch owns perfect control performance.
- Cabin featured luxury interior decoration and beautiful appearance and good eyeshot.

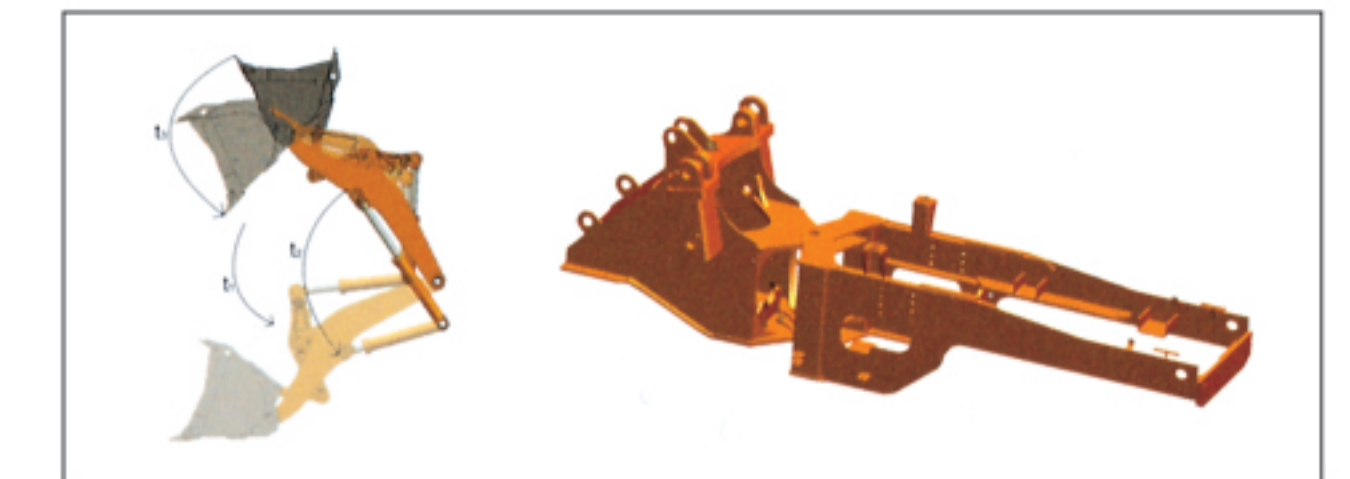


High Efficiency Hydraulic System



- Imported single handle P.P.C features comfortable and easy and accurate operation,fast reaction.
- Combined flow of two pumps saves energy and increases efficiency.
- Hydraulic tank with vacuum device ensures easy maintenance and fixing of hydraulic system.

Heavy-duty Working Equipment



- The optimized strengthened front/rear frame was more solid and durable,single-plate structure of rear frame reduce distortion and irregular welds and greatly promote reliability.
- The working equipment with optimized design of single swing arm has big break force and high working efficiency.



Wheel Loader Motor Grader Excavator Backhoe Loader Vibratory Roller Bulldozer
Construction Machinery